

1 Use

Inspection chamber for rain and waste waters used to collect water from downspouts, planter areas, and landscape sections, protects property against water damage caused by excess rainwater or irrigation. The basins can accept pipe connections at various elevations and sizes using universal outlet adapters or PP glue to accommodate the job's needs. Support heavy load. The protected designs allows a 50% space economy during transport compared to competitor articles. Difference to TOP type catch basins is in lighter and more rigid material, design and packaging possibilities.

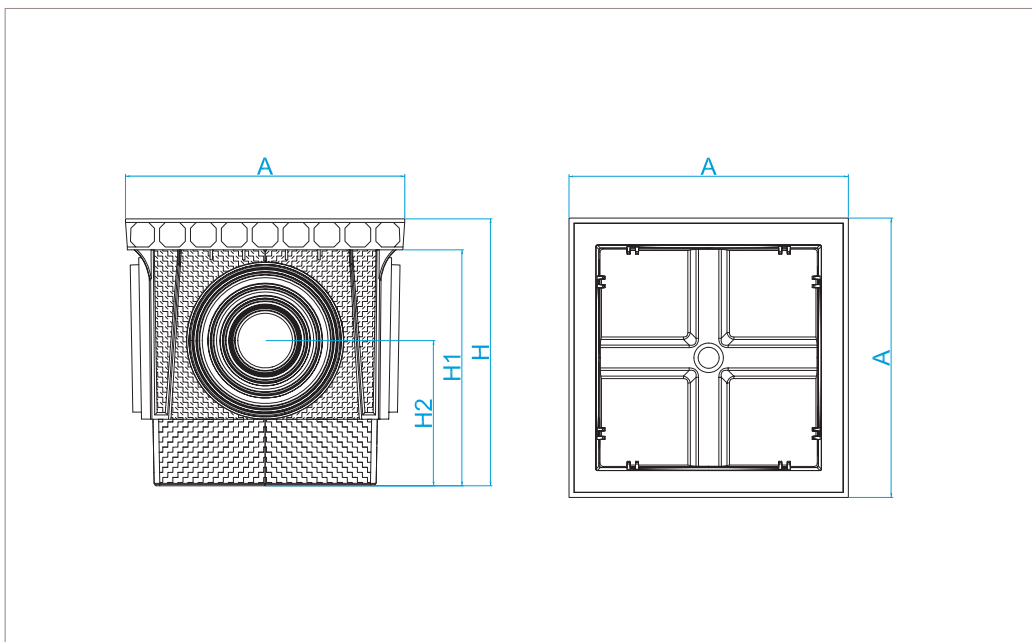


2 Models

COD.	MOD.*					
PS20-02	20x20		1	456	80x120x245	0,390 kg/pz
PS30-02	30x30		1	208	120x120x245	0,960 kg/pz
PS40-02	40x40		1	90	120x120x235	1,840 kg/pz

*Measures in centimeters

3 Technical characteristics



Material

Polypropylene
Copolymer with anti UV

Color

Grey

MOD.*	A*	H*	H1*	H2*	Inlets/Outlets**
20x20	19,6	18,7	16,5	13,3	50-63-80-100-110
30x30	29,2	28,7	26,3	15,0	80-100-110-125
40x40	39,4	37,4	34,6	22,0	80-100-110-125-140-160

*Measures in centimeters **Measures in millimeters

single catch basin "super"