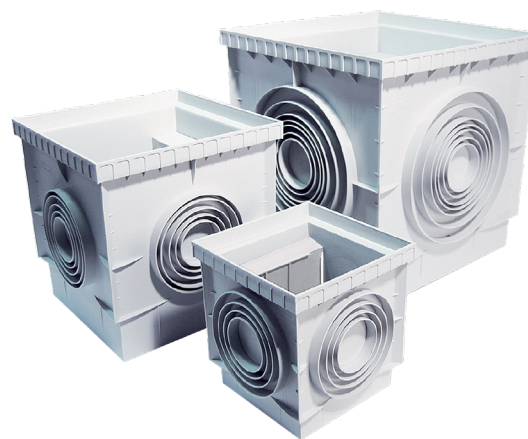




1 Usage

Inspection chamber for rain and waste waters used to collect water from downspouts, planter areas, and landscape sections, protects property against water damage caused by excess rainwater or irrigation. The basins can accept pipe connections at various elevations and sizes using universal outlet adapters or PP glue to accommodate the job's needs. Support heavy load. The protected designs allows a 50% space economy during transport compared to competitor articles.



2 Modells

| COD. | MOD.* | | | | | |
|----------|-------|--|---|-----|-------------|-------------|
| PS20-01 | 20x20 | | 1 | 384 | 80x120x250 | 0,520 kg/pz |
| PS25-01 | 25x25 | | 1 | 160 | 115x115x245 | 1,550 kg/pz |
| PS30-01 | 30x30 | | 1 | 176 | 120x120x240 | 1,200 kg/pz |
| PS40-01 | 40x40 | | 1 | 63 | 120x120x240 | 2,640 kg/pz |
| PS55-01 | 55x55 | | 1 | 24 | 110x110x250 | 6,000 kg/pz |
| PS20-01V | 20x20 | | 1 | 480 | 100x120x245 | 0,540 kg/pz |
| PS25-01V | 25x25 | | 1 | 160 | 100x120x245 | 1,590 kg/pz |
| PS30-01V | 30x30 | | 1 | 176 | 120x120x240 | 1,240 kg/pz |
| PS40-01V | 40x40 | | 1 | 63 | 120x120x235 | 2,720 kg/pz |

*Measured in cm

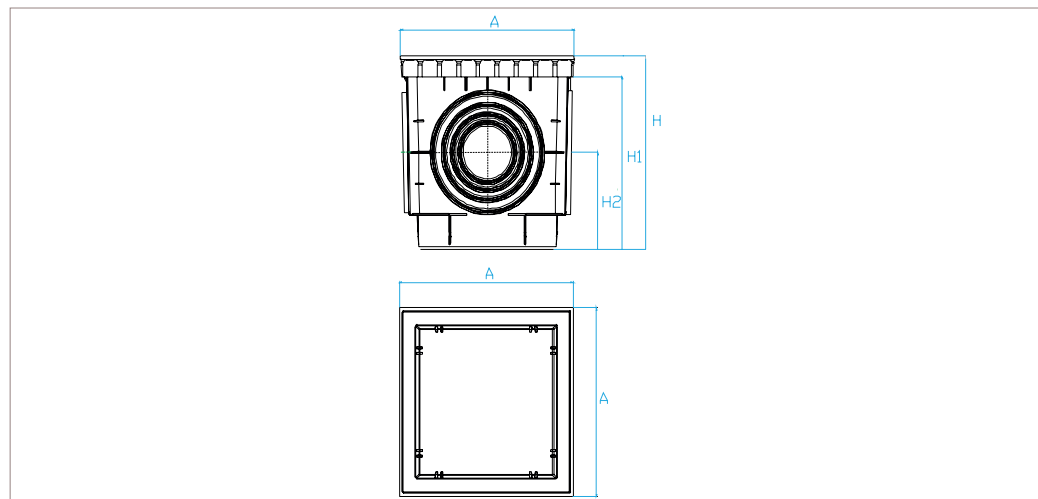
Materials

Stabilized Polypropylene Copolymer with anti UV.

Colors

- Grey
- Green

3 Technical characteristics



| MOD.* | A* | H* | H1* | H2* | Outlets** |
|-------|------|------|------|------|----------------------------|
| 20x20 | 19,6 | 20 | 18 | 10 | 50-63-80-100-125 |
| 25x25 | 24 | 24,9 | 22,4 | 12 | 63-80-100-125-140-160 |
| 30x30 | 29,2 | 29,5 | 27,3 | 14,7 | 63-80-100-125-140 |
| 40x40 | 39,4 | 39,4 | 36,8 | 19,6 | 80-100-125-140-160-200-250 |
| 55x55 | 54,5 | 52 | 48,4 | 26,6 | 160-200-250-315 |

*Measured in cm **Measured in mm

catch basins "top"