

## Section 1. PRODUCT DESCRIPTION

### HAMMER-IN DRIVE EXPANDING METAL ANCHOR – KRW

Hammer-in drive expanding metal anchor KRW comprises a body terminated with a flat stop face at one end, and a taper at the other and a hammer-in countersunk nail. The anchor is made of zinc-plated steel. It is designed for fixing of thin metal members, flashings, or suspended ceiling systems. It can be installed in cracked concrete for suspended ceiling fixings in reinforced concrete. Fixing is executed by driving in the nail into the body which causes key to move and creates a permanent anchorage.

Types of substrates on which anchor KRW can be installed:

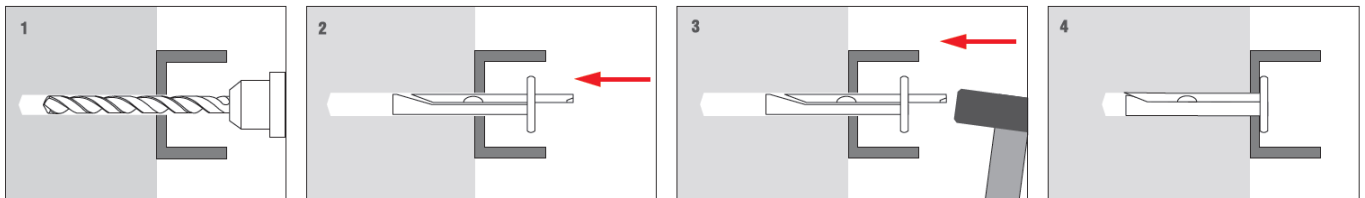
- cracked and non-cracked concrete
- Solid clay brick



Anchors hold National Technical Assessment: ITB-KOT-2018/0463 Rev. 1

## Section 2. METHOD OF INSTALLATION

1. Original anchors delivered by the manufacturer can be used only
2. Before installation identify a substrate in which the anchor will be installed and compare loads which the anchor will carry to resistance values given in Product Data Sheet or National Technical Assessment
3. Select an adequate length of the anchor so that expansion zone is in the construction material of the wall (thickness of member being fixed matches max. usable length of the anchor –  $t_{fix}$ )
4. Diameter of drilled holes should match diameter of the anchors used
5. Drilled holes in substrates of solid materials should be deeper by min. 10 mm compared to the anchorage depth
6. Clean the holes in solid materials of drillings with a back and forth motion of the drill at a reduced speed
7. Then insert the anchor into a drilled hole, and drive the nail until it completely penetrates the body



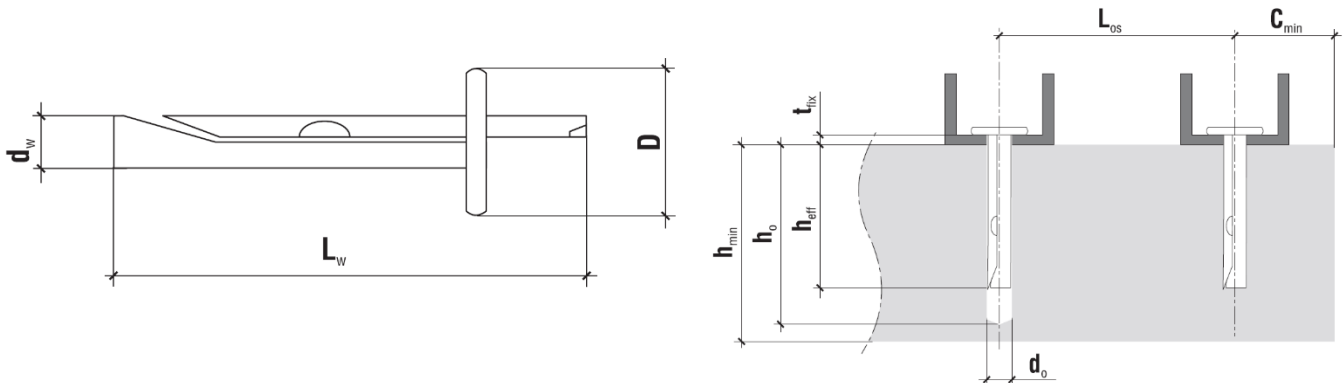
PRODUCT DATA SHEET – KRW

Section 3. TECHNICAL DATA

TECHNICAL PARAMETERS		
Parameter	Unit	Value
Anchor diameter	$d_k$ [mm]	6
Hole/drill diameter	$d_o$ [mm]	6
Effective anchorage depth	$h_{eff}$ [mm]	30
Drilled hole depth	$h_o$ [mm]	40
Anchor material	[-]	Zinc-plated steel
National Technical Assessment	[-]	ITB-KOT-2018/0463 Rev. 1

RESISTANCE	
Substrate type	Design resistance [kN]
Concrete C20/25 ÷ C50/60	2,38
Solid clay brick	1,00

INSTALLATION PARAMETERS			
Substrate type	Min. substrate thickness	Min. distance from edge	Min. axial distance
	$h_{min}$ [mm]	$c_{min}$ [mm]	$L_{os}$ [mm]
Concrete C20/25 ÷ C50/60	80	150	250
Solid clay brick	80	150	250



SELECTION TABLE				
Product code	Anchor diameter and length	Max. usable length	Collar diameter	Number of pieces in a box
	$d_w \times L_w$ [mm]	$t_{fix}$ [mm]	D [mm]	[pcs]
KRW-06035	6x35	5	15	100
KRW-06065	6x65	30	15	100

Section 4. REMARKS

1. All previous versions of this Product Data Sheet shall cease to be valid
2. Data given in this Product Data Sheet is in accordance with current knowledge and published in good faith. KLIMAS Sp. z o.o. is not responsible for correctness and quality of the fixing if recommendations regarding method of use and installation are not followed.