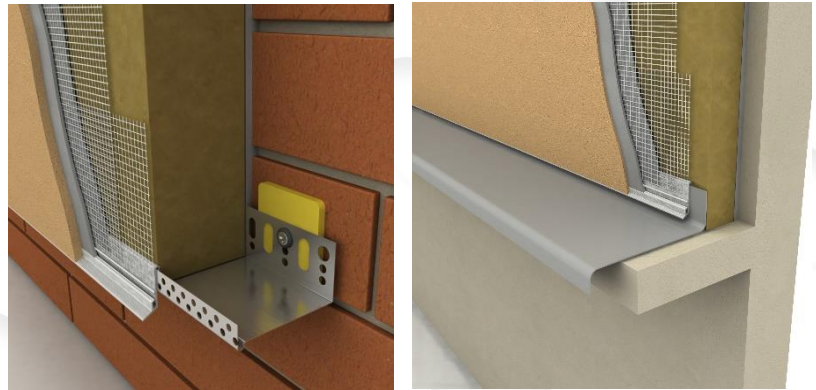


LE-V

LE-V connecting bead with glass fibre mesh for durable joint between a base profile or flashing and plaster in thermal insulation system – ETICS

Material:

- Hard PVC profile
- Glass fibre mesh complying with ETAG 004



Features:

- Prevents cracks in the place of plaster connection to the base profile or metal flashing
- The drip edge assures ideal water draining from the system and prevents water penetration into the system
- Perfect aesthetic system closing
- Connecting of individual beads possible using pegs which are included in the package

Instruction for use:

Clip the LE-V bead onto the base profile. Then insert the insulation layer into the base profile with freshly applied adhesive and bond to the wall. Apply base coat mortar onto the insulation layer up to at least 10 cm from the bottom edge. Press the mesh into the mortar. Remove and level the excess mortar outside the mesh with a trowel.

When the bead is used for flashing, bond the insulation first, then install the flashing, clip the bead onto it and apply the mortar.

Packaging, storage and transport:

Packed in paper boxes. Store in a dry and roofed place. Transport in horizontal position.

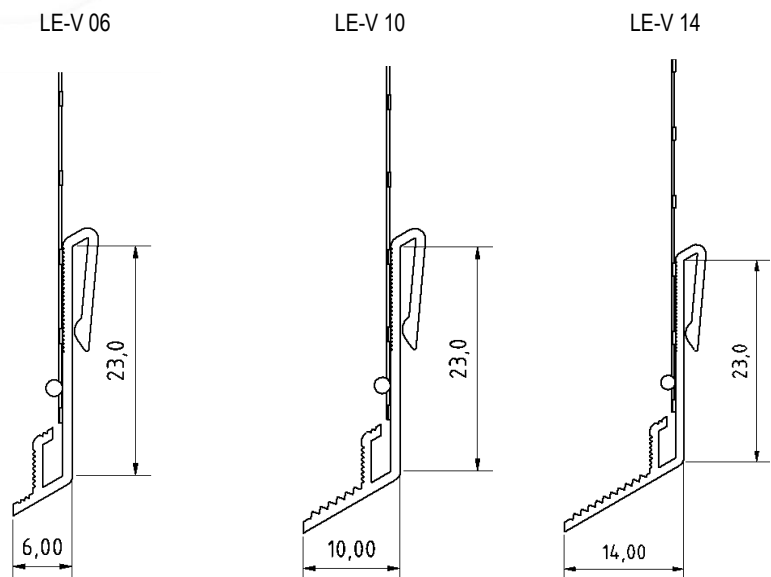
Certifications and marks:

The product is not subject to any harmonized standard.

Technical data:

	Dimensions
Bead length [mm]	2500
Plaster thickness [mm]	6, 10, 14 (subject to type)
Mesh fixation method [mm]	Welding with plastic rod (absolutely inert in contact with alkali and resistant to temperature changes)

Product variants:



Issued on 7 November 2017.

This update invalidates all previous versions of this technical data sheet. The specified product dimensions are nominal and may range within the permitted manufacturing tolerances.