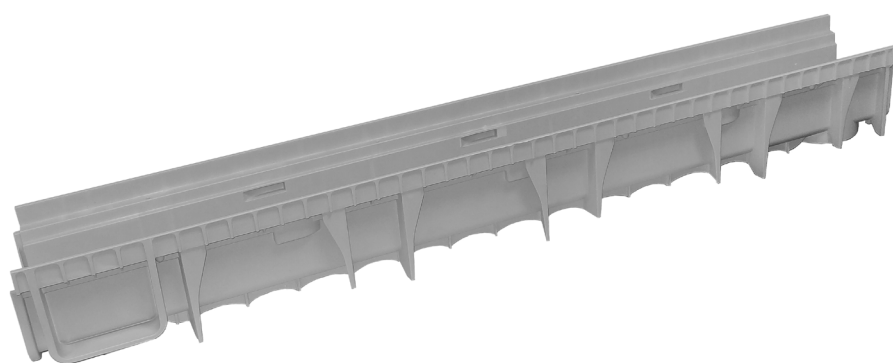


drainage channel "NOR" 13x100



Download



EN 1433

A 15

INDEX

	Pag.
Utilization.....	2
Models.....	2
Technical features.....	2
Certifications.....	3
Installation.....	3
Annexes.....	4

1 Utilization

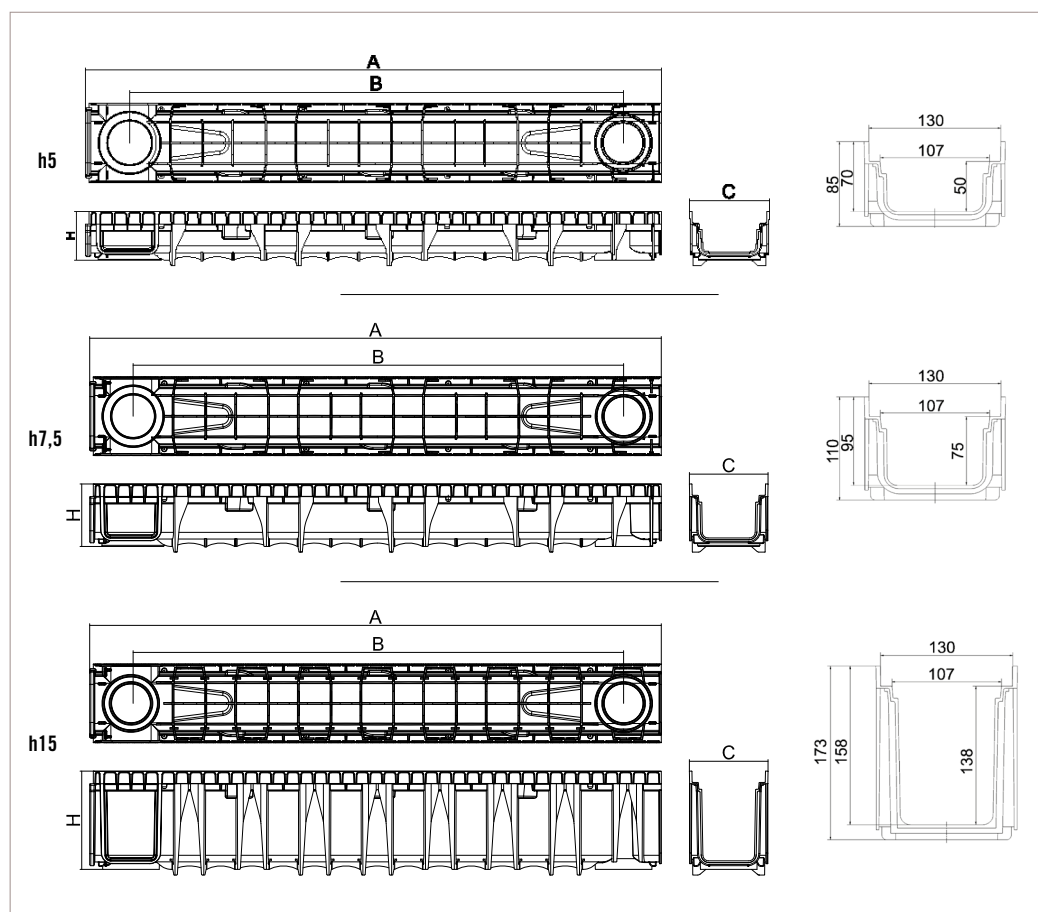
Manufactured by GRUPPO STAMPLAST, it is ideal as a simple and effective water drainage system. It ensures correct resistance and simplicity during the installation.

2 Models

COD.	MOD.*					
CN13-07	13x100 h5	●	1	248	100x120x245	0,860 kg/pz
CN13-09	13x100 h7,5	●	1	184	100x120x245	1,180 kg/pz
CN13-10	13x100 h15	●	1	112	100x120x245	1,380 kg/pz
CN13-07A	13x100 h5	●	1	248	100x120x245	1,200 kg/pz
CN13-09A	13x100 h7,5	●	1	184	100x120x245	1,330 kg/pz
CN13-11	13x100 h15	●	1	112	100x120x245	1,980 kg/pz

*MEASURES IN CENTIMETERS

3 Technical features



Materials

Stabilized Polypropylene
Copolymer with anti UV

Colors

Black



Bottom outlets:
H5: Ø75-Ø100 e Ø80-Ø110
H7,5: Ø75-Ø100 e Ø80-Ø110
H15: Ø75-Ø100 e Ø75-Ø100

MOD.*	A*	B*	C*	H*	Load class
13x100 h5	100	86,7	13,8	8,5	A15
13x100 h7,5	100	86,7	13,8	11	A15
13x100 h15	100	86,7	13,8	17,3	A15

*MEASURES IN CENTIMETERS

drainage channel "NOR" 13x100

4 Certifications

The product meets the requirements imposed by the **EN 1433:2008**.

Load class

A15

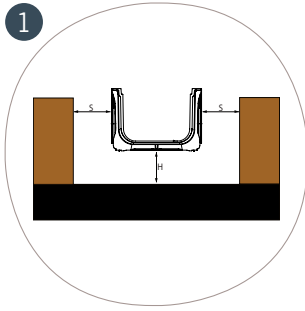
5 Installation

The "General assembly instructions" indicated in the following pages are an example to allow the installer to operate in the laying of the conduits in a correct and easy way.

The particular cases or the specific needs of the building site must be assessed individually in accordance with the designers.

A correct installation is the basis of technical stability of the product and this allows to be able to fulfill its draining and static role.

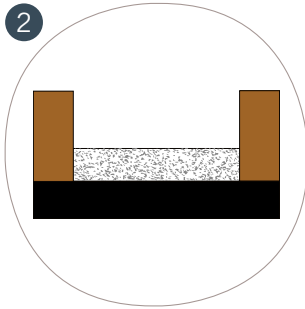
At the same time it ensures a longer service life of the drainage system and a better hydraulic and structural functioning.



1 Creation of the excavation

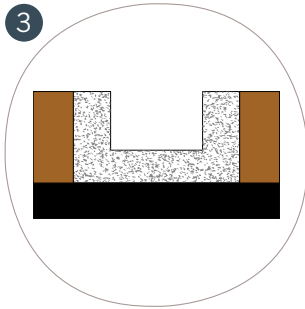
Before digging the trench, an appropriate surveys must be carried out in order to define the size. Besides the size of the conduit, it is necessary to consider the pipes for the drainages and an adequate space for the base H and for the concrete buttresses S.

The dimensions are shown in the table on next page, with the precautionary ascertainment that the base has an adequate compactness to ensure the support to the load that it will have to bear.



2 Construction of the concrete base

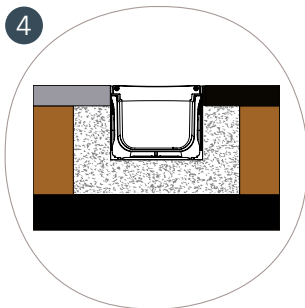
Prepare a bed of concrete up to the indicated height H. In the event that it is expected a frequent passage of heavy vehicles it is recommended to strengthen the base with a welded wire mesh galvanized or with the iron rods. The bed of concrete must have a suitable slope to allow a correct drainage.



3 Positioning of the conduits

Lay the conduits starting from the exit point of the flow and stop the base to prevent the displacement or misalignment during the subsequent pouring of the reinforced concrete.

Complete the installation of the required drains and make the concrete casting for the thickness S up to the maximum height, taking into consideration the lining and the planning drawings. During the casting phase, the gratings must be assembled and fixed to avoid any deformation of the conduits due to the lateral thrust of the concrete. Install the profiles, where provided, and screw tightly the supporting bolts. The assembly of the gratings in this phase will make the installation easier. In those cases where frequent passage of heavy vehicles is expected, it is recommended to place a reinforcement to improve the structural efficiency.



4 Completing the installation

Check the tightness of the bolts and complete with the final coating at least 3-5mm above the plane of the grating.

drainage channel "NOR" 13x100



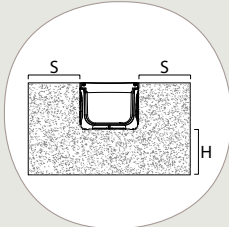
Other information for the installation

The body of the channel drain and the outside wall in concrete should form a single structure able to withstand external stresses. As shown below, for an optimal installation of the channel drain, the trench where conduits will be laid must be of an adequate size in order to comply with the measures of the casting indicated in the table. The table and schema below shows exactly the minimum size required for the sidewall and for the bottom concrete, so that the sidewall and the channel drain can withstand the estimated weight depending on the load class, considering the use of concrete with mechanical characteristics greater than RCK 300.

During the installation it is recommended to combine the conduits body with the acetic silicone sealant, except for the conduits in ABS which must necessarily be combined with two-component sealant that ensures a perfect tightness to liquids.

IMPORTANT

During the installation it is recommended to combine the conduits body with two-component sealant that ensures a perfect tightness to liquids.



SUMMARY TABLE

Load class (EN 1433)	A15	C250	D400	E600	F900
Applicable load (EN1433)	kN 15	250	400	600	900
Minimum height (H) of the concrete base	mm 80	150	200	200÷250	250÷300
Minimum thickness (S) of the concrete buttresses	mm 80	150	200	250	250÷300
Strength class of concrete (EN206-1)	C25	C25/30	C25/30	C30/37	C35/45

AREAS OF USE

Class **A 15**

PP type M drainage channel capable of withstanding a 15kN test load. For use in areas where only pedestrians and cyclists have access. (GROUP 1)

6 Annexes

DoP - Declaration of performance

drainage channel "NOR" 13x100

COLORI / COLORS



Kit installation model



Kit with galvanised grid
 CN13+GC13-NOR5ACC
 CN13+GC13-NOR7.5ACC

"NOR"



Kit with PP grid
 CN13+GC13-NOR5
 CN13+GC13-NOR7.5

"NOR"

KIT CANALETTA "DIY NOR"

Prodotto da GRUPPO STAMPLAST è ideale come sistema di drenaggio delle acque semplice ed efficace. Eredita tutte le caratteristiche tecniche della canaletta "NOR". È particolarmente indicato per l'uso domestico, per garage e per piscine.






CHANNEL DRAIN KIT "DIY NOR"

Manufactured by GRUPPO STAMPLAST, it is ideal as a water drainage system simple and effective.

It inherits all the technical characteristics of the channel "NOR".

It is particularly indicated for the domestic use, for garage and for swimming pools.

SCHEMA TECNICA PRODOTTO / TECHNICAL SHEET

COD.	MOD.*					
CN13+GC13-NOR5	KIT: 3 Canalette 13x100 h5 - 3 Griglie PP pesante - 2 tappi	●	1	78	100x120x235	9,005 kg/kit
CN13+GC13-NOR5ACC	KIT: 3 Canalette 13x100 h5 - 3 Griglie zincate - 2 tappi	●	1	78	100x120x235	8,500 kg/kit
CN13+GC13-NOR7.5	KIT: 3 Canalette 13x100 h7,5 - 3 Griglie PP pesante - 2 tappi	●	1	57	100x120x230	10,715 kg/kit
CN13+GC13-NOR7.5ACC	KIT: 3 Canalette 13x100 h7,5 - 3 Griglie zincate - 2 tappi	●	1	57	100x120x230	9,050 kg/kit

*MEASURES IN CENTIMETERS