

Straight Balcony Profile

Balcony Profile Coupling

Straight Balcony Profile and Balcony Profile Coupling for aesthetic and functional ending of the balcony slab

Material:

- Aluminium sheet metal, thickness 0.6 mm with colour paint and protective film

Features:

- Safe water draining off the balcony slab face
- Quick and easy application
- A system of mutually compatible parts

Instruction for use:

The balcony slab surface must be duly prepared for floor layer application. It is necessary to remove old flashing, clean and repair the surfaces as needed. Fix the balcony profiles to the balcony slab edge with adhesive butyl strip. Remove the protective film from the perforated part of the profile before bonding. The remaining part of the protective film will be removed after the work completion. Prepare the corner profile by cutting off the perforated shape and bending it to form the required angle. Where joining profiles together, leave a 5 mm gap between them for possible dilation, cover the dilation gap with the profile coupling. Apply the adhesive butyl tape. Further layers may be applied on the thus installed profiles (waterproofing, adhesive for tiles etc., depending on the system applied).

Standards and certifications:

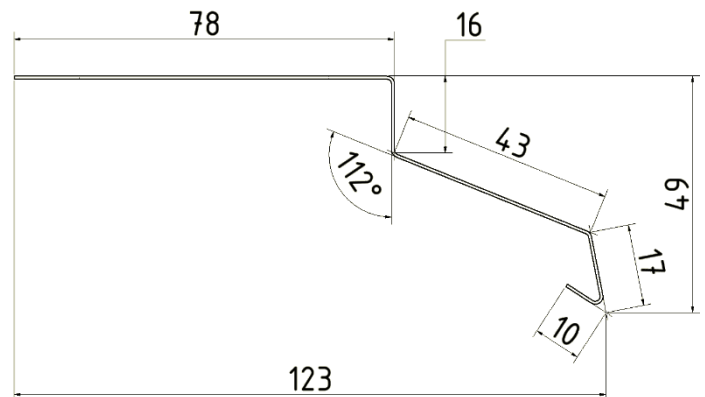
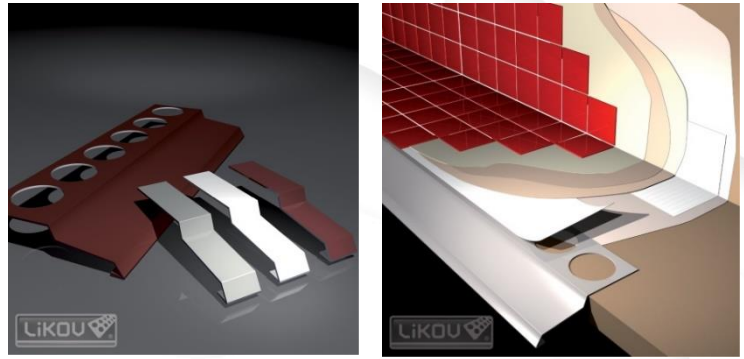
The products is not subject to any harmonized standard.

Packaging, storage and transport:

Store in a dry roofed place at +5°C ~ +40°C, in the horizontal position to prevent the profiles from sagging.

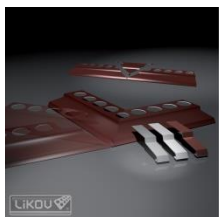
Technical data:

Material	Painted aluminium, thickness 0.6 mm with protective film
Colour shades	White – RAL 9010 Brown – RAL 8017 Grey – RAL 7001
Overlap	ca 45 mm
Profile length	2 m
Profile width	123 mm
Coupling length	30 mm

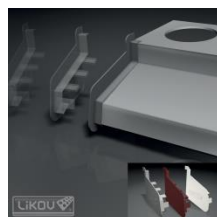


Other components of the balcony system:

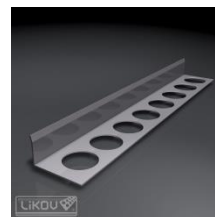
Balcony corner profile



Balcony profile ending



Base balcony profile



Issued on 10 October 2016.

This update invalidates all previous versions of this technical data sheet.