

Section 1. PRODUCT DESCRIPTION

UNIVERSAL PLUG WITH COUNTERSUNK HEAD SCREW – SFXP

Universal plug SFXP comprises sleeve made of polyamide and countersunk head hardened-steel screw with protective zinc coating. It is designed for fixing of light-duty interior finish systems and lightweight installations on all building substrates. The sleeve has ribs and stabilising fins which prevent rotation of sleeve during installation and provide initial fixation in the substrate. Unique shape of the sleeve allows for installation in both solid materials (by expansion of the sleeve) and materials with voids (by shape fixation provides a “knot” formation).

Types of substrates on which universal plug SFXP can be installed:

- Concrete
- Solid clay brick and sand-lime brick
- Hollow sand-lime brick
- Hollow clay brick
- Autoclaved aerated concrete
- Fibreboard, plasterboard

Universal plugs hold Technical Approval: AT-15-9702/2016



Mniejsza średnica początkowa koszulki
- ułatwia montaż w otworze.



„Wypusty” stabilizujące
- innowacyjne rozwiązanie stabilizujące koszulkę.



Unikalny kształt koszulki
- gwarantuje zawiązanie „supła” co powoduje zwiększenie powierzchni docisku w pustych przestrzeniach.



Powiększona średnica kołnierza
- zapewnia pewne oparcie koszulki o podłoże.

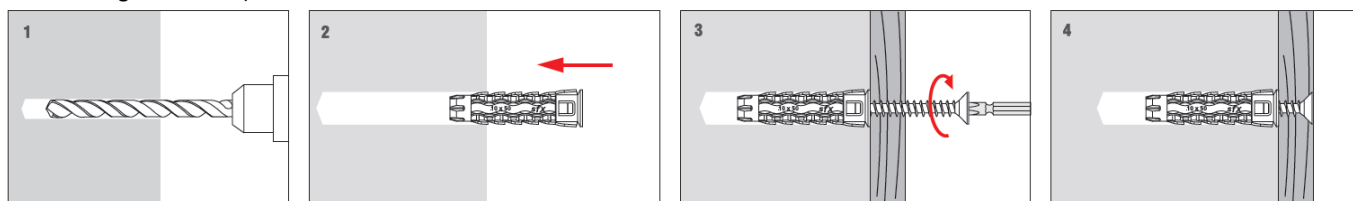


„Pletwy” stabilizujące
- element przeciw obrotowy zapobiega obrotowi koszulki w podłożu podczas wkręcenia.



Section 2. METHOD OF INSTALLATION

1. Original plugs delivered by the manufacturer can be used only
2. Before installation identify a substrate in which the plug will be installed and compare loads which the plug will carry to resistance values given in Product Data Sheet or Technical Approval
3. Select an adequate length of the plug so that expansion zone is in the construction material of the wall (thickness of member being fixed matches max. usable length of the plug – t_{fix})
4. Use proper method of drilling according to a substrate type (holes in brickwork substrate made of hollow or autoclaved aerated concrete blocks should be drilled using a drill without impact)
5. Diameter of drilled holes should match diameter of the plugs used
6. Drilled holes in substrates of solid materials should be deeper by min. 10mm compared to the plug anchorage depth
7. Clean the holes in solid materials of drillings with a back and forth motion of the drill at a reduced speed
8. Then insert the plug into a drilled hole, and drive the screw through the element being fixed until it completely penetrates the sleeve (pre-fastening installation)

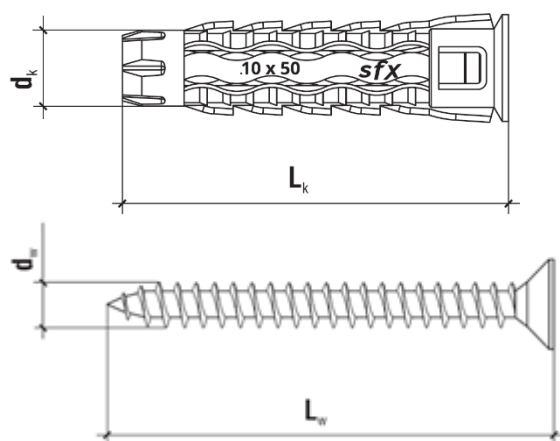


Section 3. TECHNICAL DATA

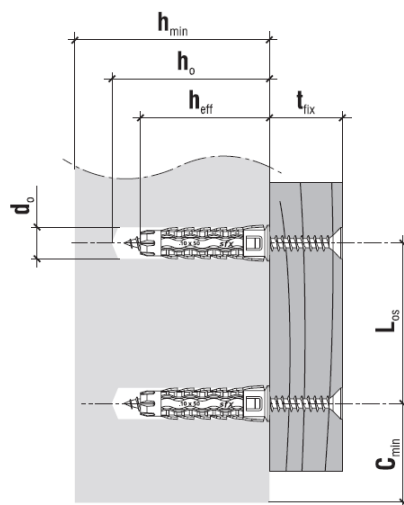
TECHNICAL PARAMETERS		
Parameter	Unit	Value
Plug diameter	d_k [mm]	5/6/8/10
Hole/drill diameter	d_o [mm]	5/6/8/10
Effective anchorage depth	h_{eff} [mm]	25/30/40/50*/60*
Drilled hole depth	h_o [mm]	35/40/50/60*/70*
Drive type	[-]	PZ-2/PZ-2/PZ-2/PZ-3
Sleeve material	[-]	PA - polyamide
Screw material	[-]	Zinc-plated steel
Technical Approval	[-]	AT-15-9702/2016

*for SFXP 10 – two anchorage depths 50/60mm

Substrate type	RESISTANCE				
	Design pull-out resistance [kN]				
	5x25	6x30	8x40	10x50	10x60
Concrete C20/25 – C50/60	0,05	0,11	0,17	0,42	0,42
Solid clay brick	0,04	0,12	0,30	0,48	0,48
Solid sand-lime brick	0,04	0,12	0,36	0,60	0,60
Hollow sand-lime brick	0,04	0,12	0,24	0,48	0,48
Hollow clay brick	0,04	0,20	0,24	0,48	0,48
Autoclaved aerated concrete	0,05	0,15	0,30	0,30	0,30
Plasterboard 12.5mm	-	0,10	0,10	0,20	0,20
Fibreboard 12.5mm	-	0,10	0,10	0,45	0,45
Plasterboard 2x12.5mm	-	-	-	0,15	0,15



PZ-2
PZ-3



SELECTION TABLE					
Product code	Sleeve diameter and length	Screw diameter and length	Max. usable length	Drive type	Number of pieces in a box
	$d_k \times L_k$ [mm]	$d_w \times L_w$ [mm]	t_{fix} [mm]	[-]	[pcs]
SFXP-05025035	5,0x25	3,5x35	10	PZ-2	50
SFXP-06030040	6,0x30	4,0x40	10	PZ-2	50
SFXP-06030050	6,0x30	4,0x50	20	PZ-2	50
SFXP-08040050	8,0x40	5,0x50	10	PZ-2	50
SFXP-08040060	8,0x40	5,0x60	20	PZ-2	25
SFXP-10050060	10x50	6,0x60	10	PZ-3	25
SFXP-10050070	10x50	6,0x70	20	PZ-3	25
SFXP-10060070	10x60	6,0x70	10	PZ-3	25
SFXP-10060080	10x60	6,0x80	20	PZ-3	25

Section 4. REMARKS

- All previous versions of this Product Data Sheet shall cease to be valid
- Data given in this Product Data Sheet is in accordance with current knowledge and published in good faith. KLIMAS Sp. z o.o. is not responsible for correctness and quality of the fixing if recommendations regarding method of use and installation are not followed.